



CHANDELIER

ICH343B06
10/14

QUESTIONS OR CONCERNS CONTACT CANARM AT:
1-800-265-1833 (English) 1-800-567-2513 (French)
Monday through Friday 8:00 AM to 5:00 PM E.S.T.



INSTRUCTIONS PERTAINING TO RISK OF FIRE OR INJURY TO PERSONS
READ ALL INSTRUCTIONS

IMPORTANT SAFETY INSTRUCTIONS

SAVE THESE INSTRUCTIONS

TOOLS AND MATERIALS REQUIRED:



Phillips
Screwdriver



Wire Cutters



Pliers



Wrench

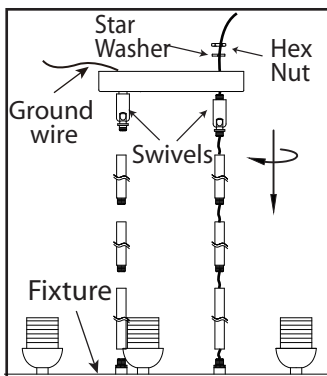
Wiring supplies
as required by
the Canadian
Electrical Code
and/or the
Quebec
Electrical code

SAFETY PRECAUTIONS:

1. **TURN OFF ELECTRICAL POWER BEFORE STARTING INSTALLATION OF LIGHT FIXTURE.**
2. **THIS PRODUCT MUST BE INSTALLED IN ACCORDANCE WITH THE APPLICABLE INSTALLATION CODE BY A PERSON FAMILIAR WITH THE CONSTRUCTION AND OPERATION OF THE PRODUCT AND THE HAZARDS INVOLVED.**
3. **CONNECT THE GROUND WIRES (BARE COPPER OR GREEN) FROM YOUR FIXTURE TO THE GROUND WIRE (BARE COPPER OR GREEN) OR GROUND SCREW IN THE ELECTRICAL OUTLET BOX.**

NOTE: Product May Not Look Exactly As Shown In Figures.

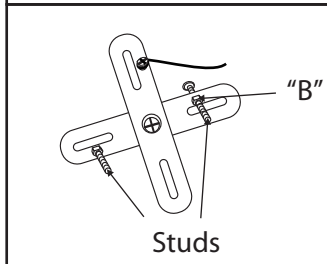
INSTALLATION:



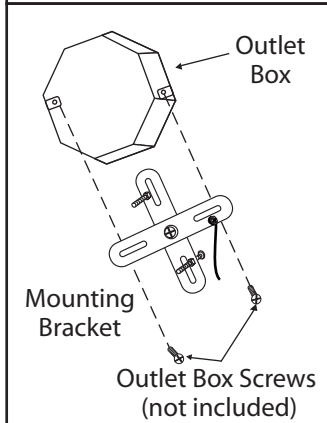
1. Install the length of rod that is required by threading wire through the rod and securing it to the fixture.

2. Install swivel to the rod, ensuring that the sleeve is at the swivel.

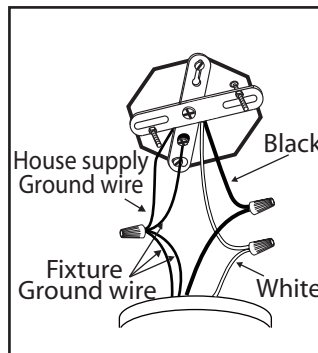
3. Tighten the hex nut and washer to the swivel arm on the canopy.



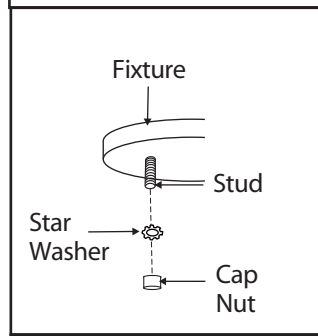
4. Loosen "B". Adjust stud to desired length and lock in place with "B".



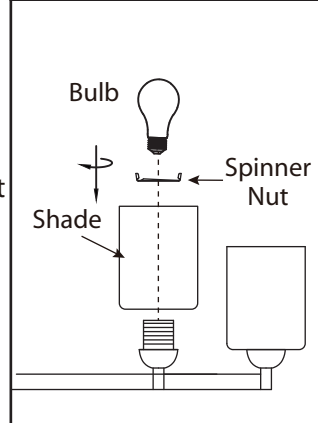
5. Mount the mounting bracket to outlet box using outlet box screws (not included). Make sure the studs on the mounting bracket are facing out from the outlet box.



6. Connect the ground wires (bare copper or green) from your fixture to the ground wires (bare copper or green) or ground screw in the electrical outlet box. Connect black wire from fixture to black wire in outlet box and connect the white wire from fixture to white wire in outlet box.



7. Once connections of wires are completed, carefully tuck wires and wire nuts into the outlet box making sure no bare wire (on the black and white) is visible at the wire nuts.



8. Position fixture over studs on mounting bracket assembly. Secure fixture in place with star washer(s) and cap nut(s).

9. Remove spinner nut from socket. Position shade on lamp and secure with spinner nut.

10. Install the specified bulb type and wattage (not included).